



Promote Client's Business...

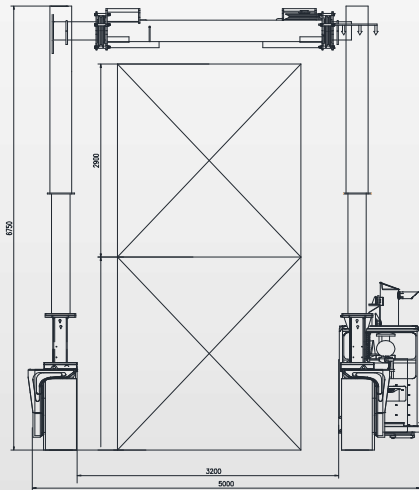
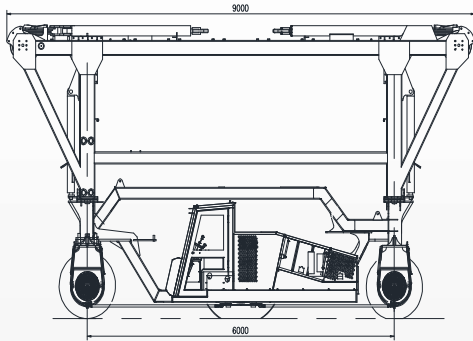


## 集装箱起重机 Container RTG Crane



## ■ 产品参数 (四轮版)

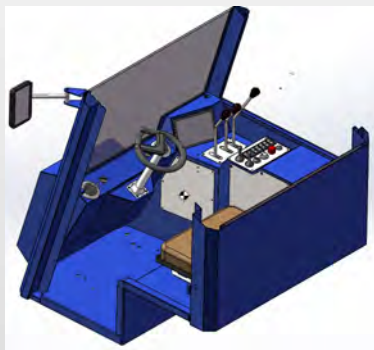
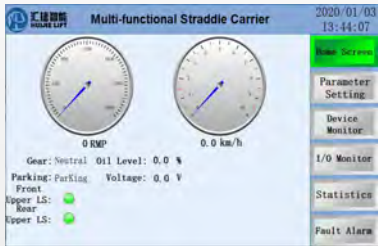
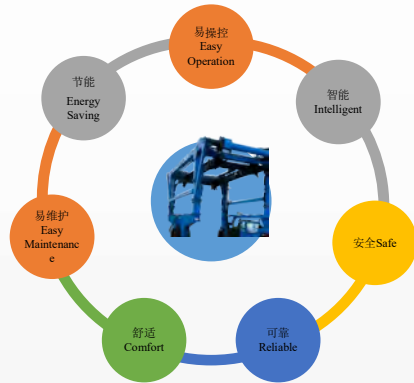
### Product Parameter (Four Wheel)



Basic Parameter	EL3533-4-1	EL3533-4-2
起重量 Lifting capacity	30t / 35t / 40t	30t / 35t / 40t
外形尺寸(长*宽*高) Dimension(Length*Width*Height)	9300*5000*5300mm	9300*5000*4900mm
有效内宽Inner width	3200mm	3200mm
轮距Wheel base	6000mm	6000mm
二级举升高度Duplex Lifting height	无N/A	1700mm
最小离地间隙Min. Ground clearance	280mm	280mm
整机重量Deadweight	17T (不含吊具 not including spreader)	18T (不含吊具not including spreader)
发动机 (国五标准) Engine(China StageVI)	康明斯/潍柴 Cummins/Weichai	康明斯/潍柴 Cummins/Weichai
行走泵 (闭式行走) Travel Pump(ClosedTravel)	海德克/林德/丹佛斯 Hytek/Linde/Danfoss	海德克/林德/丹佛斯 Hytek/Linde/Danfoss
行走速度 (空载) Travel speed(Unladen)	8km/h	8km/h
行走速度 (重载) Travel Speed(Laden)	6km/h	6km/h
转弯半径 Turning Radius	7600mm	7600mm
爬坡能力 (空/满) Gradeability(Unladen/Laden)	15%/6%	15%/6%
操控形式 Manipulation	方向盘 (可选装遥控) Steering wheel( can be remote control)	方向盘 (可选装遥控) Steering wheel( can be remote control)
轮胎 Tires	1100实心轮胎+1300实心轮胎各两条 1100(02PCs)+1300 Solid Tire (02PCs)	1100实心轮胎+1300实心轮胎各两条 1100(02PCs)+1300 Solid Tire (02PCs)
起吊工具Lifting Tools	链条+锁头/自动吊具 Chain+Lock/Auto spreader	链条+锁头/自动吊具 Chain+Lock/Auto Spreader

## ■ 主要技术及特点

### Main Technology and Features



### 整机结构 Structure

- 采用有限元和动态模拟仿真技术，确保钢结构件寿命在20年以上。Finite element and dynamic simulation technology is used to ensure steel structure useful life over 20 years.
- 整车面漆按海港标准执行，整体喷砂处理后，先底漆、中漆、面漆。  
Painting is in accordance with the port standards. After sandblasting treatment, then primer, middle paint and top coating start in sequence.
- 轮胎选用超大超宽实心轮胎，安全耐用，维护成本低。  
Solid tires are more enduring with lower maintenance cost.
- 整机重量轻，轮压低，可适应各种复杂路况。  
Machine is light with low wheel load pressure, and can work in different working conditions.

### 电控系统 Electric control system

- CAN总线系统，各种信号以数据方式传播，传送距离远，数据准确，稳定可靠；  
CAN bus system, signals are transmitted by data with long distance transmission, accurate data and high reliability.
- 高性能电气元器件：SYMC控制器、倍加福传感器、安费诺接插件。  
High-performance electrical components: SYMC controller, P+F sensor, Amphenol connector.

### 驾驶室液控操作系统 Hydraulic control operation system in Cab

- 选用成熟的液压推杆技术，操作简单、故障率低、维护方便。  
Use mature hydraulic hand lever, reducing breakdown, easy for both operation and maintenance.
- 静液压驱动行走技术，无级变速、动作平稳、高效、节能。  
Hydrostatic driven travel technology, stepless speed change, smooth movement, high efficiency and energy saving.
- 吊箱侧移对箱机构。Side Shift stacking mechanism.
- 整车平衡防倾斜系统。Anti-rollover protection system.

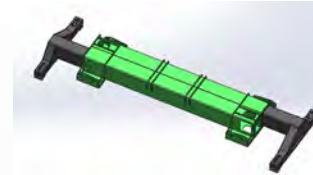
可选装各种吊具、满足不同作业需求 Customised Spreaders to Satisfy Various Working Conditions



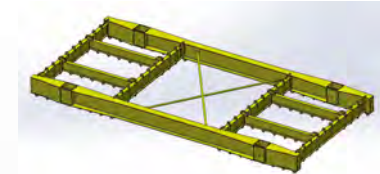
20尺自动吊具  
20 Feet Spreader



40尺自动吊具  
40 Feet Spreader



20-40自动吊具  
20-40 Feet Spreader



大件吊具  
Oversized Load Spreader

## ■ 施工案例 Construction Cases



三轮吊具版  
Three-wheel with Spreader



三轮链条版  
Three-wheel with Chain



四轮链条版  
Four-wheel with Chain



四轮吊具版  
Four-wheel with Spreader